

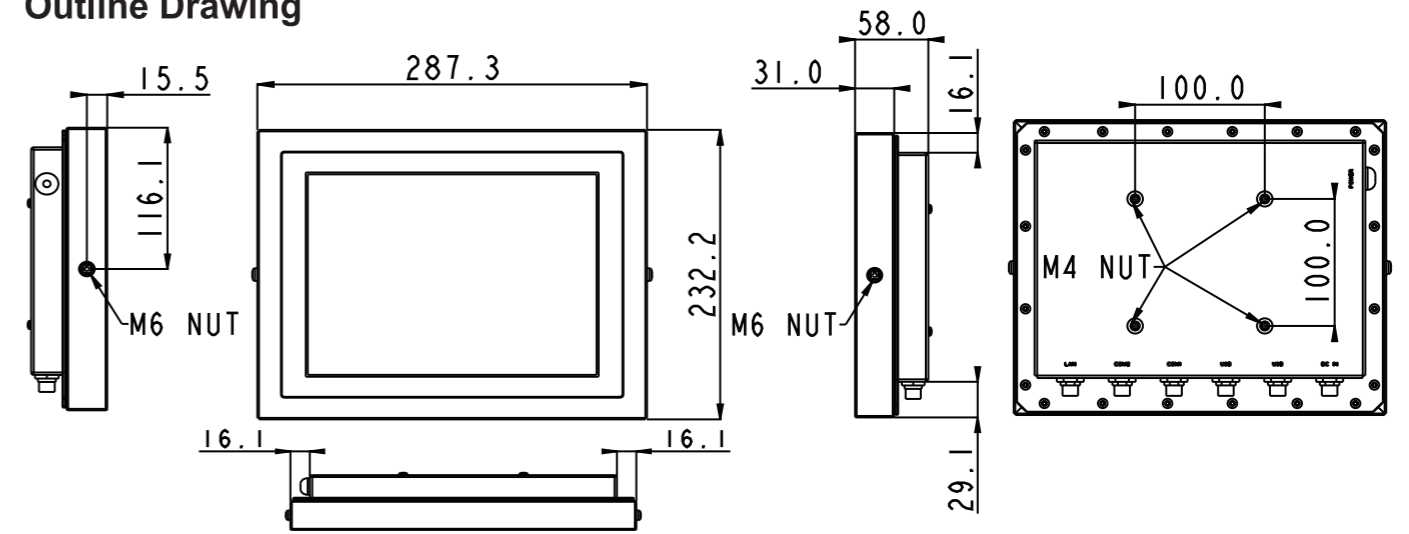


Key Features

- 10" Intel Baytrail Fanless Stainless Panel PC
- IP66 full sealed with anti-corrosion enclosure
- 10" LCD with full flat resistive touch
- IP67 M12 metal connectors
- Special inspection of 100% waterproof guarantee
- CE, FCC, VCCI Class B certified
- Optional Mini-PCIe WLAN with external antenna
- Optional PCAP touch with IP69K true tested
- Optional IP67 solution
- Reliably works without throttling



Outline Drawing



Main System

CPU	Intel® Celeron® J1900 2.0 GHz quad-core processor 10W
Graphic	Intel® Graphics HD
Memory	Single Channel DDR3L 1600 MHz SDRAM MAX 8GB

I/O & Power & Control Keys

USB	1 x M12 8pin for USB 1/2 1 x M12 8pin for USB 3/4
COM	1 x M12 8pin for COM 1/RS-232 1 x M12 8pin for COM 2/RS-232/422/485 (Default RS-232)
LAN	1 x M12 8pin for LAN 1
Power input	DC 9V~36V
Power adapter	AC 100~240V / 47 ~ 63 Hz / DC output 12V, IP67, 60W/12V/5A
Power consumption	29.7 (MAX. Loading without adapter)
Control keys	Rear bottom: Power on/off

LCD Panel

Size	10" 4:3
Resolution	800 x 600 (XGA)
Color numbers	262K, LVDS 6 bits
Viewing angle	80 (H) / 60 (V)
Contrast	500:1
Brightness	230 nits

Touch Panel

Type	Full Flat Resistive touch, 5-wire
Light transmission	80±5%
Hardness	4H
Life time	35 million activations

Storage & Expansion

SSD	64GB x 1 2.5"
SATA DOM	2nd SATA connector pin 7 with VCC_(+5V)
Expansion slot	Mini PCIe x 2 1(Half size)+1(Full size) shared with mSATA

Mechanical & Environmental

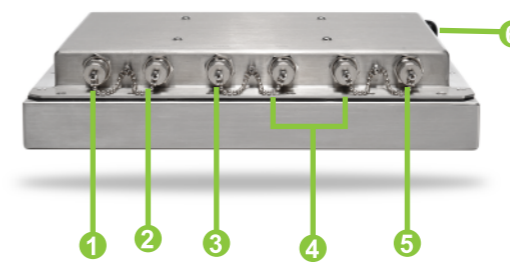
Housing	Stainless steel (SUS304), chassis type
IP rating	IP66 whole set (include the I/O connectors & control keys)
Cooling	Fanless
Dimension	288x236x58 mm
Weight (net)	6.9 Kg (net)
Temperature	Operating - 0 ~ 50°C Storage T -20 ~ 60°C
Humidity	Operating & storage – 10%~90%, non-condensing
Regulatory	FCC, CE (EMC), VCCI Class B

Options

- Wireless or Wireless + BT kit (2 Dipole ant)
- M12 to 1x COM cable (cable length is 2 meters)
- M12 to 1x USB cable (1 USB Port) (cable length is 2 meters)
- M12 to 2x USB cable (2 USB Port) (cable length is 2 meters)
- M12 to 1x LAN cable (cable length is 2 meters)
- Wall mount / table mount bracket
- Wireless or Wireless and BT kit (easy clean and Robust Antenna)
- Full flat PCT touch screen IP69K
- IP67
- 2 External LAN (USB x2, LAN x2, COM x1)
- SUS316 enclosure
- HDD(Operating temp. 0~35°C)

Customization

- 1000 nits high brightness LCD
- Sunlight readable optical bonding
- LCD Auto dimming
- LCD Super dimming (Low brightness)
- USB 3.0
- Barcode reader
- COM+power 5V or 12V
- XGA LCD panel
- TPM



- 1 Giga LAN
- 2 USB 1/2
- 3 USB 3/4
- 4 COM x 2
- 5 DC-in
- 6 Power on/off



Ordering Information

WTP-8B66-10 (J1900)	10" FANLESS	J1900 / DDR3L 2GB RAM / 64G SSD / Full flat R-touch
---------------------	-------------	---